

TECHNICAL GUIDE

Shutter valve RDR MK



Content index

Application	4
Technical data	5
Dimensions.....	6
Order sheet.....	7

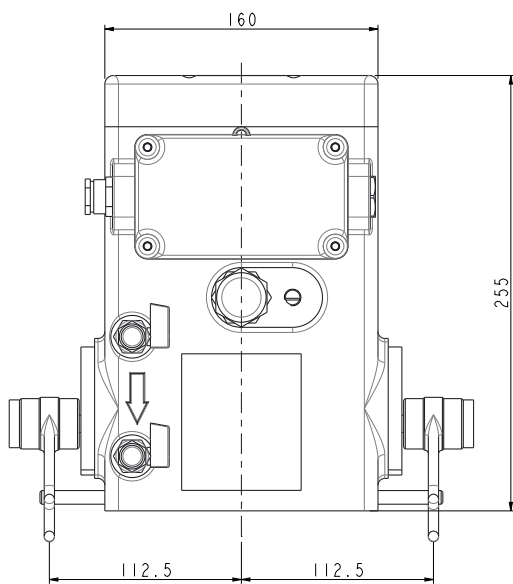
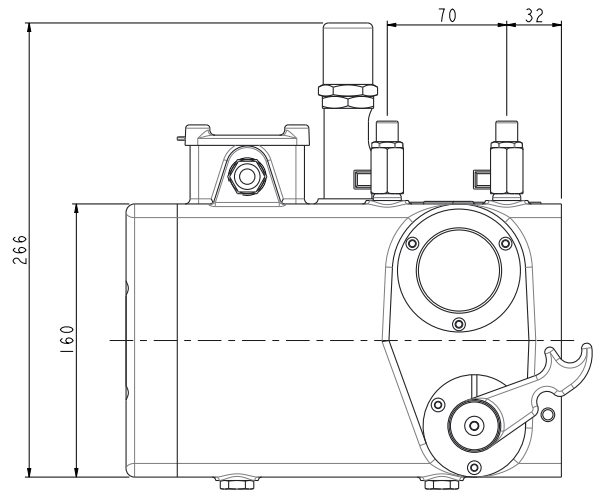
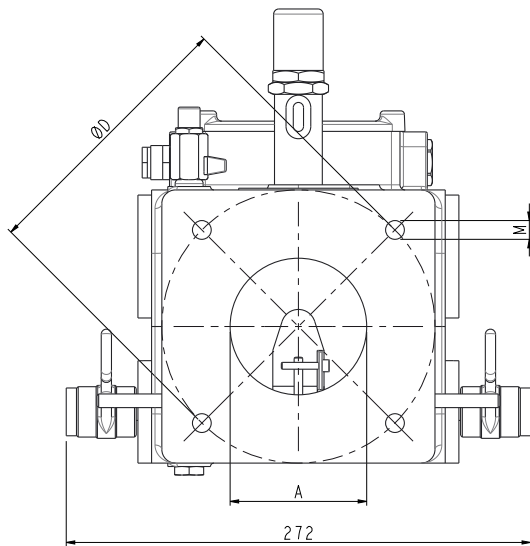
Application

Standard features											Options
Shutter valve type	Pipe nominal diameter	Holes x Ø (mm)	Wheelbase (mm)	Discharge valve	Inspection Window	Reset lever	Max nr. of contacts	Mechanical test button	Flow threshold regulation mechanism	Corrosion protection: C4 Moderate salinity (ISO 12944)	Corrosion protection: C5 Medium Offshore (ISO 12944)
RDR MK	25	n°4 x M12	Ø 85	●	●	●	2	●	●	●	●
	50	n°4 x M16	Ø 125	●	●	●	2	●	●	●	●
	80	n°4 x M16	Ø 160	●	●	●	2	●	●	●	●

Technical data

Shutter valve RDR MK	Technical data
	Material
Housing and upper part inclusive terminal box	Aluminum casting, RAL 7032, powder coated; Off shore model on request (surface treatment, not painted)
	Characteristics data
Standard	IEC 60076-22-1
Installation	Indoors and outdoors, tropical proof Red arrow to indicate the installation way
Ambient temperature	-40 to 80°C / -40 to 176°F
Oil temperature	-40 to 115°C / -40 to 239°F
Degree of protection	IP65 in accordance with EN60529
Rated insulation voltage	2.5 kV AC 1 min between contact and earth
Nominal tube diameter	DN25 – DN50 – DN80
Gasket	NBR
	Protected reed switch
Number and types	N° 2 x Change over contacts
Nominal voltage	24 – 230 VAC/DC
Max nominal current	2A
Min switching current	10 mA/24 VDC (for lower current are available the golden contact)
Max breaking capacity DC	250W (L/R<40 ms)
Max breaking capacity AC	400 VA (cosφ>0.5)
Rated insulation voltage	2.5 kV AC 1 min between contacts and earth, 1.0 kV AC 1 min between open contacts
Insulation resistance	1000 Mohm/500 VDC
	Connection
Connection terminals	Min 0.25 mm ² / max. 4 mm ²
Cable gland	N°1 PG16

Dimensions



Weight: 10 Kg

Type	Ø D (mm)	A (mm)	M	Thread lenght (mm)	Threshold flow position 1 to 4 ⁽¹⁾
RDR MK25	85	25	N°4 x M12	15	~11 - 1.5 l/min
RDR MK50	125	50	N°4 x M16	15	~44 - 5 l/min
RDR MK80	160	80	N°4 x M16	15	~110 - 12 l/min

(1) The showed values are indicative considering the test performed with silicon oil at 25°C.
For higher value (only for size 80) please contact us: customerservice@it.comem.com

Order sheet

Date	
Rev.	
Customer reference	

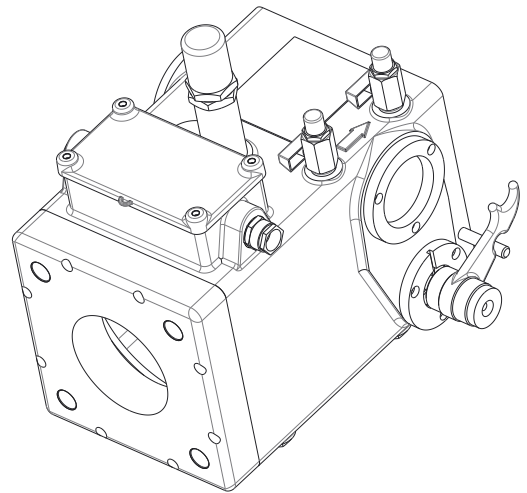
Shutter Valve type

<input type="checkbox"/>	RDR MK25: Pipe diameter: Ø 25 mm
<input type="checkbox"/>	RDR MK50: Pipe diameter: Ø 50 mm
<input type="checkbox"/>	RDR MK80: Pipe diameter: Ø 80 mm

Corrosion withstand class

<input type="checkbox"/>	C4 Medium acc. to ISO 12944 (Standard)
<input type="checkbox"/>	C5 Medium acc. to ISO 12944 (Not paintable)

Note: For different configuration / options,
please contact us: customerservice@it.comem.com



COMEM SpA

Localita' Signolo 22, Sr11
36054 Montebello Vicentino
Vicenza - Italy
Tel +39 0444 449 311

www.comem.com

The data and illustrations are not binding. We reserve the right to modify the contents of this document without prior notice following the technical and product developments.

Copyright 2021 COMEM. All rights reserved

Technical guide-08-2021